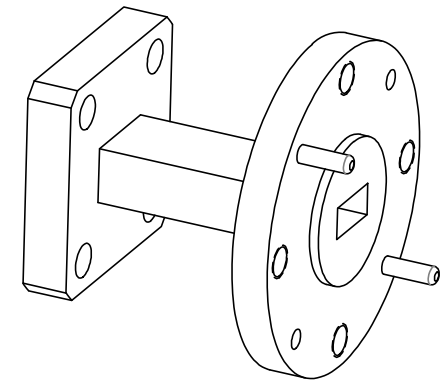
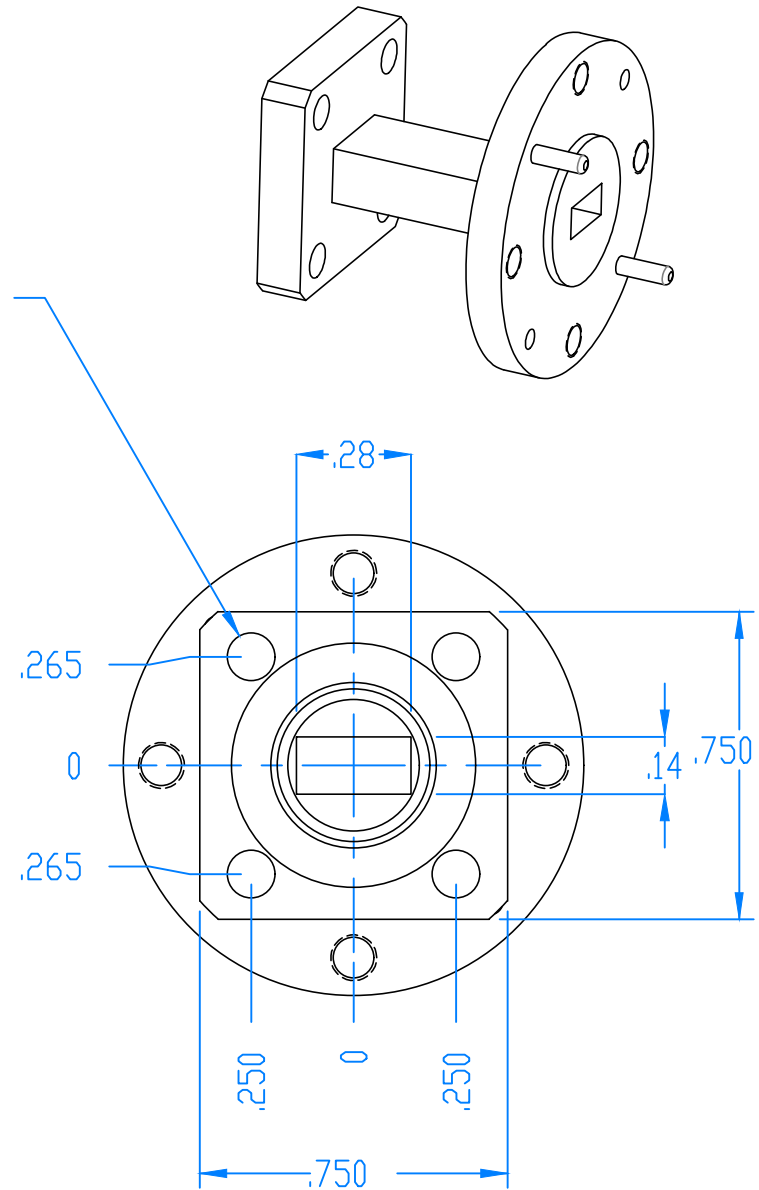
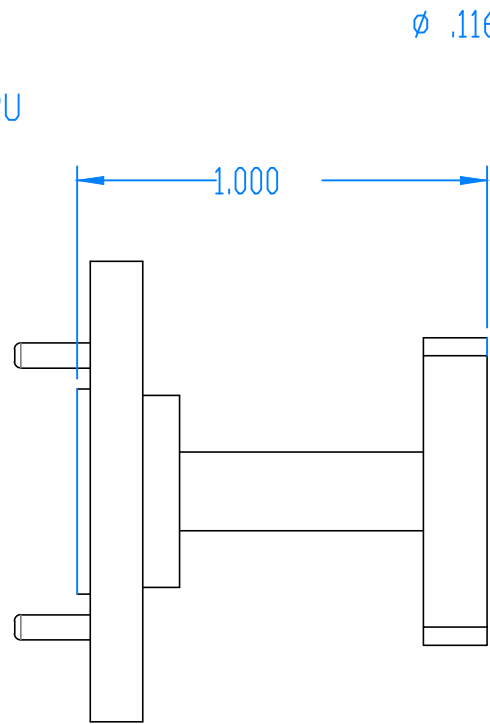
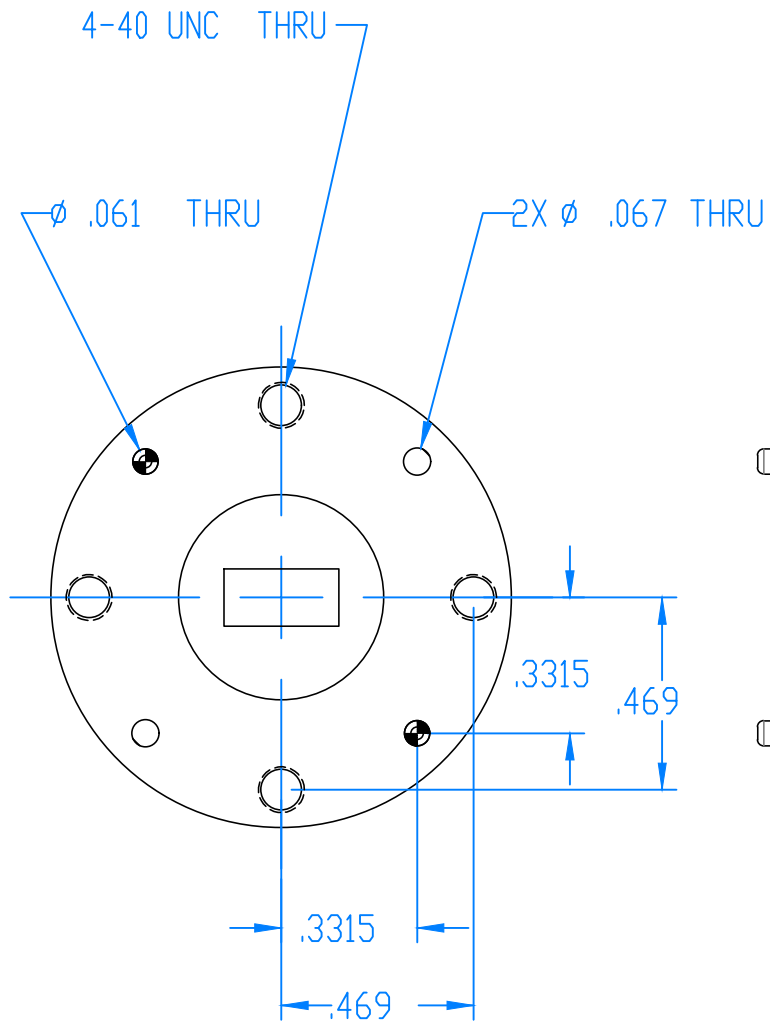


REVISIONS			
REV	DESCRIPTION	DATE	APPROVED
--	--	--	--



DECIMALS: XXXX $\pm$ .0005 XXX $\pm$ .005 XX $\pm$ .01	DRAWN CC	NAME CC	DATE 8-12-21	TITLE: Mi-Wave Millimeter Products Inc.		REV
ANGLES: $\pm$ .5 DEGRESS	CHECKED MS	ENG LS	DATE 8-12-21	SIZE A	DWG. NO. 688A-381-600_OUTLINE_26112	REV
THIRD ANGLE PROJECTION	MATL: BRASS/COPPER			SCALE: 2:1	WEIGHT:	SHEET 1 OF 1